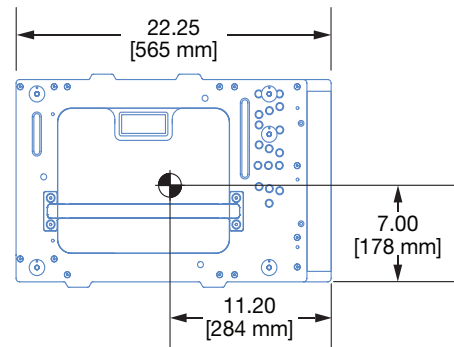
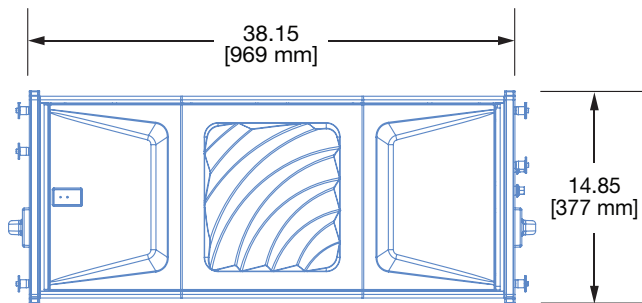
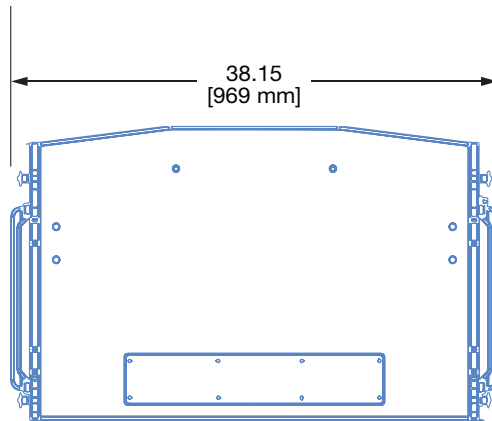


PANTHER リニアラインアレイラウドスピーカー



音響特性	PANTHER-L	PANTHER-M	PANTHER-W
動作周波数帯域	55 Hz – 16 kHz		
最大音量 ¹	>150 dB	>150 dB	>150 dB
リニアサウンドレベル、L _{peak} ²	146 dB (M-noise)	146 dB (M-noise)	146 dB (M-noise)
指向角度			
水平指向角度	80°	95°	110°
外観			
重量	150 lb, ±3 lb (68.04 kg, ±1.36 kg)		
エンクロージャ	Premium multi-ply birch, slightly textured black finish		
保護グリル	Powder-coated, stamped steel with acoustical black mesh		
リギング	End frames with captive GuideALinks secured with 0.4375 in x 0.090 in quick-release pins that allow 0.5°– 9° splay angles; detachable side handles		
IEC防塵・防滴規格 (IP等級)	55		
AC 電源			
コネクター	Neutrik powerCON TRUE1 TOP (True Outdoor Protection)		
動作電圧範囲	200 – 240 V AC, 50 or 60 Hz		
消費電力			
最長連続出力 (>10秒)	1100 W		
バースト電流 (<1秒)	2200 W		

アナログオーディオ入力 ³	
Connector	Neutrik XLR 3-pin TOP (True Outdoor Protection) female input with male loop output
デジタルオーディオ入力 ³	
Connector	Neutrik etherCON TOP (True Outdoor Protection)
Digital Format	Milan Certified
モニタリング	
	Loudspeaker telemetry transmitted via the Ethernet port, displayed in software
トランスデューサ	
Low Frequency	Two 12-inch long-excursion cone drivers; 4 Ω nominal impedance
High Frequency	Two 3-inch diaphragm compression drivers coupled to a horn; 8 Ω nominal impedance

注釈

1. Maximum Sound Level is the L_{peak} measured using burst noise.
2. Linear Sound Levels are measured in free-field at 4 m with a Class 2 sound level meter in accordance with IEC 61672 and ANSI S1.4. Values are scaled to 1 m distance from the loudspeaker when the loudspeaker is reproducing M-noise with less than 2 dB of compression for at least 1-hour, 40-degree C ambient temperature.

M-noise is a full bandwidth, (10 Hz – 22.5 kHz) test signal developed by Meyer Sound to better measure the loudspeaker’s music performance. It has a constant instantaneous peak level in octave bands, a crest factor that increases with frequency, and a full bandwidth Peak to RMS ratio of 18 dB.
3. Both analog and digital audio inputs are provided as standard.