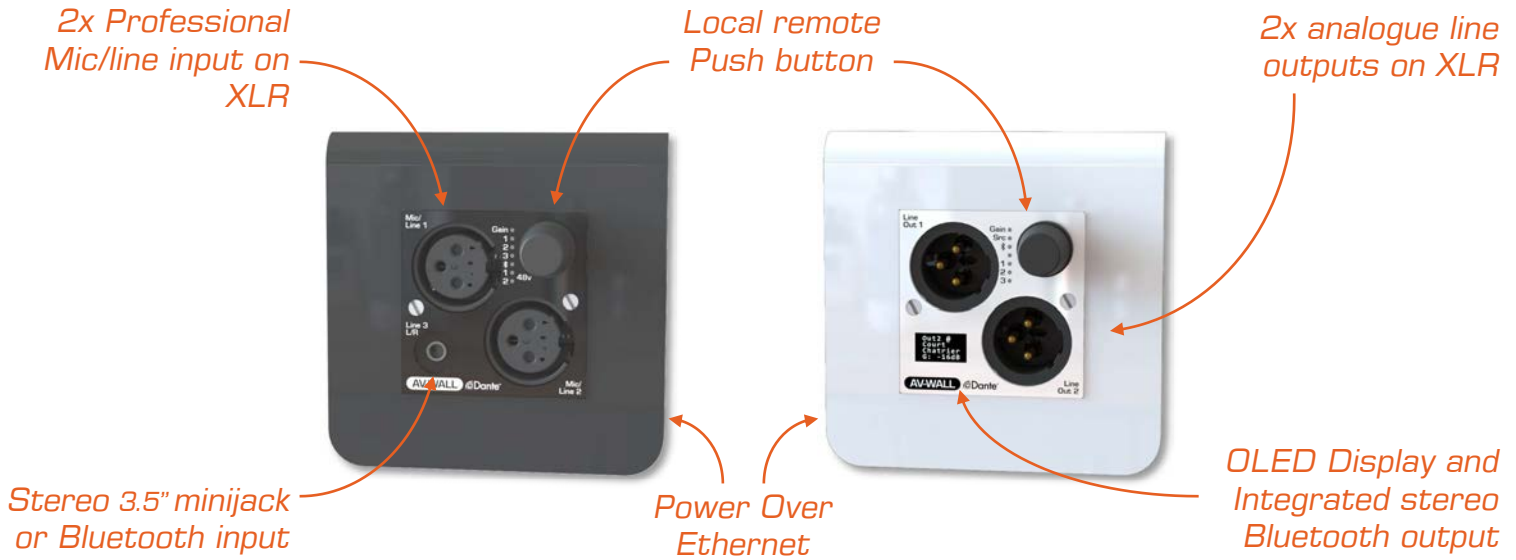


Ultra Compact wall mounting Dante Interfaces



AV-WALL

Ultra Compact Dante Interfaces
For wall mounting

by

AuviTran



AV-WALL-DT2i-B & DT4i

Wall mounted Dante Bluetooth or Mic/Line audio input interface

AV-WALL-DT2i-B



AV-WALL-DT4i



AV-WALL-DT4i-LE



The AV-WALL-DT2i-B is a compact and cost-effective BlueTooth to Dante audio network interface wall plate. It has an internal stereo BlueTooth input linked to 2 Dante channels and level adjustment can be carried out remotely by 1dB step. The AV-WALL-DT2i is PoE, therefore you only need one Cat5e/6 cable to connect the power, control and transmission.

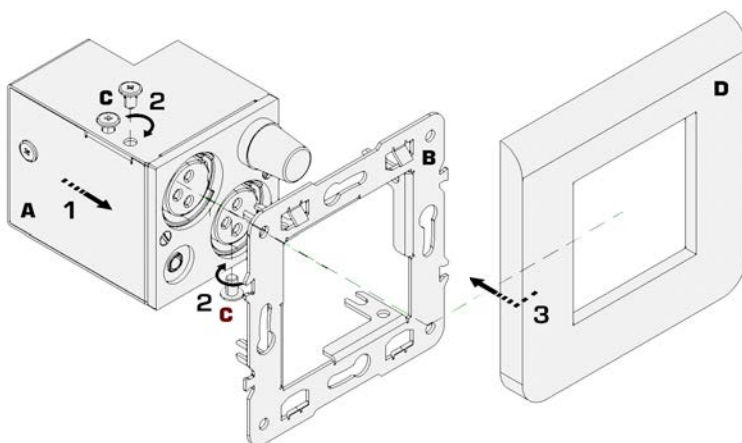
The AV-WALL-DT4i is a compact and cost-effective Dante Mic/Line audio network interface wall plate. It has an internal mixer feature which allows up to 4 lines of audio line mixing to 4 Dante channels. The AV-WALL-DT4i allows for Mic pre-amplification adjustments can be carried out either remotely or locally and can be adjusted by 1dB step. The AV-WALL-DT4i is PoE, therefore you only need one Cat5e/6 cable to connect the power, control and transmission.

The AV-WALL-DT4i-LE has the same technical features as the DT4i without the rotation push button for local access and control.

The AV-WALL-BT-EXT is an add on feature that allows the DT4i collection to be operated by BlueTooth control. With a dedicated software and control page (AVS Monitor) monitoring, controlling and setting parameters is easily accessible and has different levels of functionality (standard and advanced)

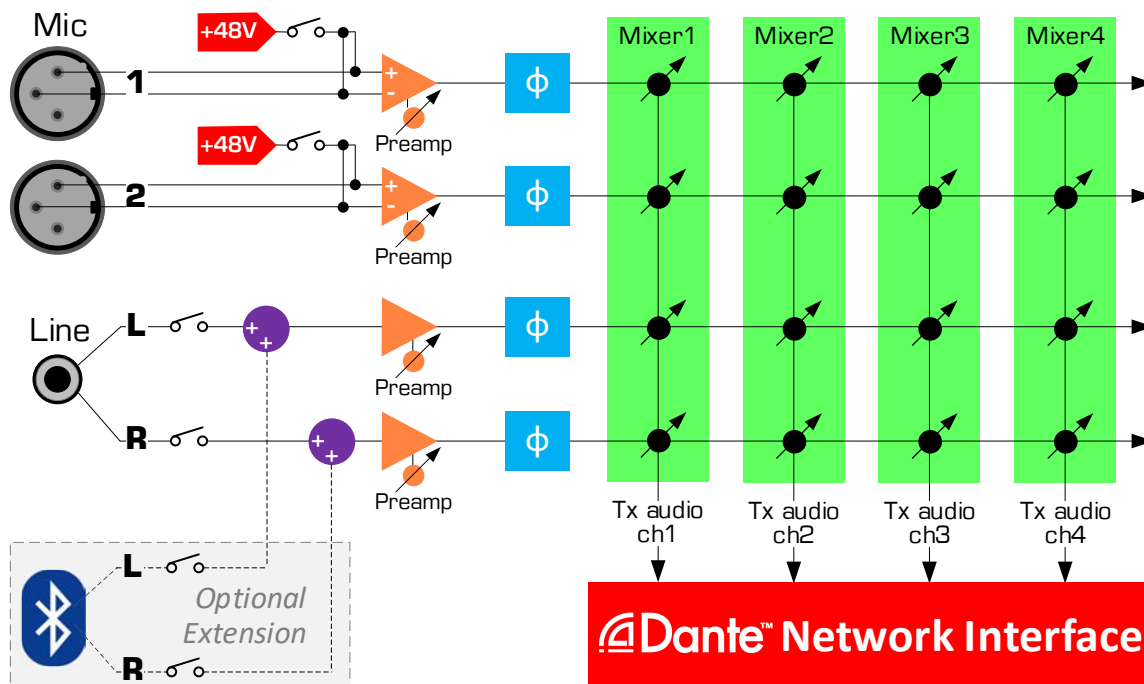
KEY FEATURES

- 2x or 4x Dante channel transmitters
- 4x Internal input mixers (1, 2, L, R) on DT4i
- Remote or local controlling
- Compact size - Fits into a single-gang junction box (45x45mm)
- RJ45 connector for power and control
- +48 V phantom power for Mic / Line inputs on DT4i
 - PoE powered (802.3af compliant)
- 2x female XLR Microphone / Line inputs and



AV-WALL-DT4i

Audio Flow



Technical Data (All measures at fs=48kHz & 22kHz BW)

DIMENSIONS:	Depth in Wall (HxLxW): 49x47x46mm - Central part: 45x45x50 mm Fit in 1 gang box - Wall plate size may vary depending on the region.	
POWER SUPPLY:	PoE 802.3af compliant through RJ45. Maximum consumption 5.5W.	
SAMPLING, A/D:	44.1 / 48 / 88.2 / 96 kHz on 24 or 32 Bits	
INPUTS:	2 XLR for line inputs 1-2, a stereo 3.5mm minijack for line inputs 3-4 an optional stereo Bluetooth can be connected to AV-WALL-DT4i	
LOCAL CONTROL:	Rotary push button on AV-WALL-DT4i only	
INPUT SENSIBILITY:	ON XLR (BALANCED) +24dBu to -40dBu	ON MINI-JACK (UNBALANCED) +12dBu to -28dBu
INPUT IMPEDANCE:	3.5 k Ω	10 k Ω
E.I.N.:	-111dBu @R=150 Ω , G=+64dB	-97dBu @R=200 Ω , G=+40B
DYNAMIC RANGE :	>101dB A-weighted	>100dB A-weighted
THD+N @1KHz, G=0dB :	<-91dB (0.0028%)	<-89 dB (0.0035%)
FREQ. RESPONSE @G=0:	20Hz-20kHz (+0 /-1.2dB	20Hz-20kHz (+0 /-0.8 dB)
PHANTOM POWER:	+48V controlled per channel	

OPTIONS AVAILABLE

- AV-WALL range is available in BLACK
- Customization / OEM possible
- Bluetooth extension available
- Interchangeable wall plate sizes on request



AV-WALL-DT4o

Wall mounted Dante to analogue XLR outputs interface with stereo Bluetooth or minijack output

AV-WALL-DT4o-B



AV-WALL-DT4o-LE



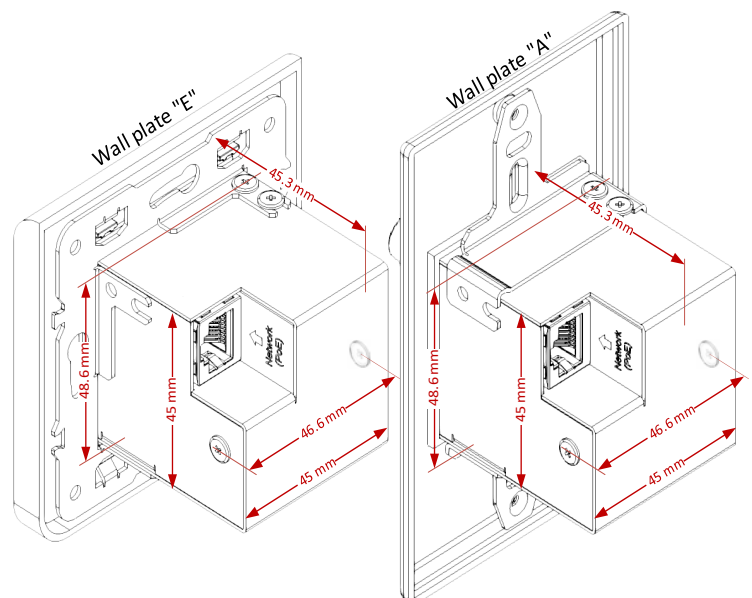
The AV-WALL-DT4o-B is a single-gang wall mounted Dante and Bluetooth output audio interface. The compact design provides a flexible and easy to use installation solution. It is PoE enabled so you only require one Cat5e/6 cable to connect the power, control and transmission.

The AV-WALL-DT4o-B has a very simple pairing process accessed through a rotation push button that allows the user to select and view paired devices on a OLED screen. Gain can then be controlled locally or via the AVS Monitor and Dante Controller software. Direct selection of Dante sources, no external software required to create a patch.

The AV-WALL-DT4o-LE has a stereo minijack output to replace the Bluetooth output without OLED screen or rotation button. With a dedicated software and control page (AVS Monitor) monitoring, controlling and setting parameters is easily accessible and has different levels of functionality (standard and advanced)

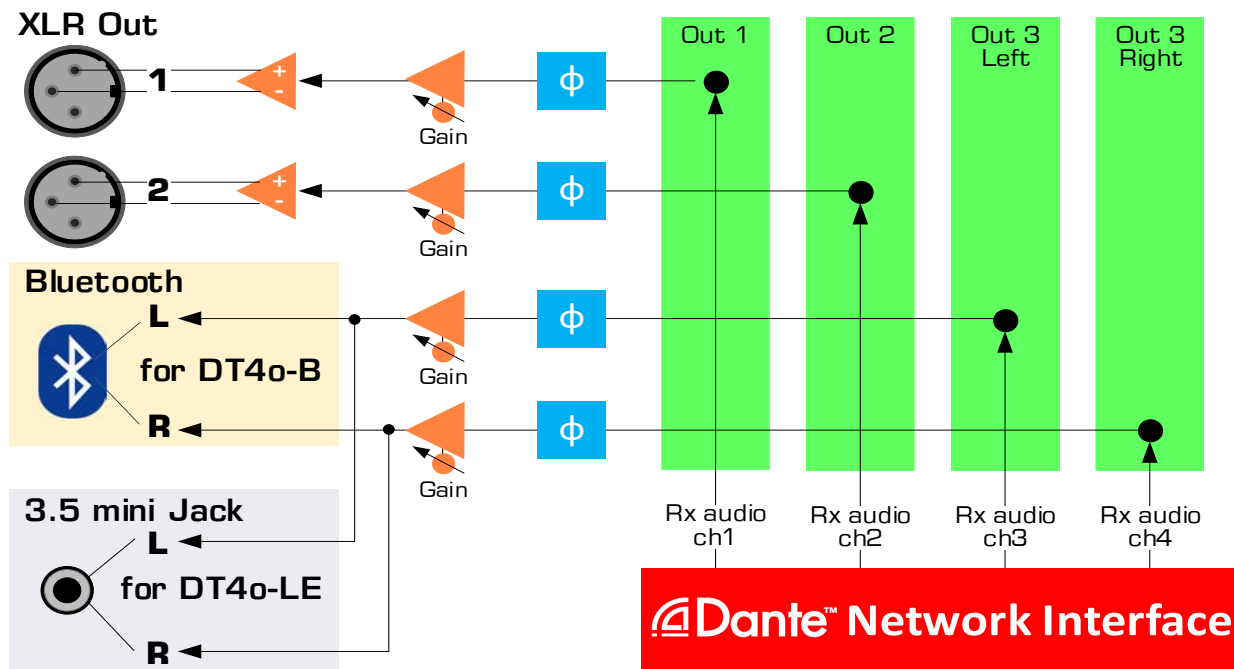
KEY FEATURES

- Simple Bluetooth device pairing
- Remote or local controlling options
- Compatible with most known portable Apple and Android devices
- Fits into a single-gang junction box (Measures only 45x45mm)
- RJ45 connector for power and control
- 2 male XLR analog line out connectors
- OLED screen for direct Dante source selection
- Easy selection of pre-set Bluetooth channels



AV-WALL-DT4o

Audio Flow



Technical Data (All measures at fs=48kHz & 22kHz BW)

DIMENSIONS:	Depth in Wall (HxLxW): 49x47x46mm - Central part: 45x45x50 mm Fit in 1 gang box - Wall plate size may vary depending on the region.	
POWER SUPPLY:	PoE 802.3af compliant through RJ45. Maximum consumption 5.5W.	
SAMPLING, A/D:	44.1 / 48 / 88.2 / 96 kHz on 24 or 32 Bits	
OUTPUTS:	2 XLR for Line outputs 1-2, a stereo Bluetooth on AV-WALL-DT4o-B or a stereo 3.5mm minijack on AV-WALL-DT4o-LE for line outputs 3-4	
LOCAL CONTROL:	Rotary push button on AV-WALL-DT4o-B only	
DISPLAY:	OLED screen on AV-WALL-DT4oB only	
OUTPUT MAX LEVEL:	ON XLR (BALANCED) +24dBu	ON MINI-JACK (UNBALANCED) +18.7dBu
OUTPUT IMPEDANCE:	<100 kΩ (balanced)	16 to 600 Ω (unbalanced)
DYNAMIC RANGE @+24dBu:	>106dB A-weighted	>104dB A-weighted
THD+N @1KHz, G=0dB:	<-92 dB (0.0025%)	< -91 dB (0.0028%)
FREQ. RESPONSE @G=0:	20Hz-20kHz (+0 /-2.5dB)	20Hz-20kHz (+0 /2dB)
MAX POWER :		250mW (@ 0.05% THD+N 1KHz, 32 Ω load)

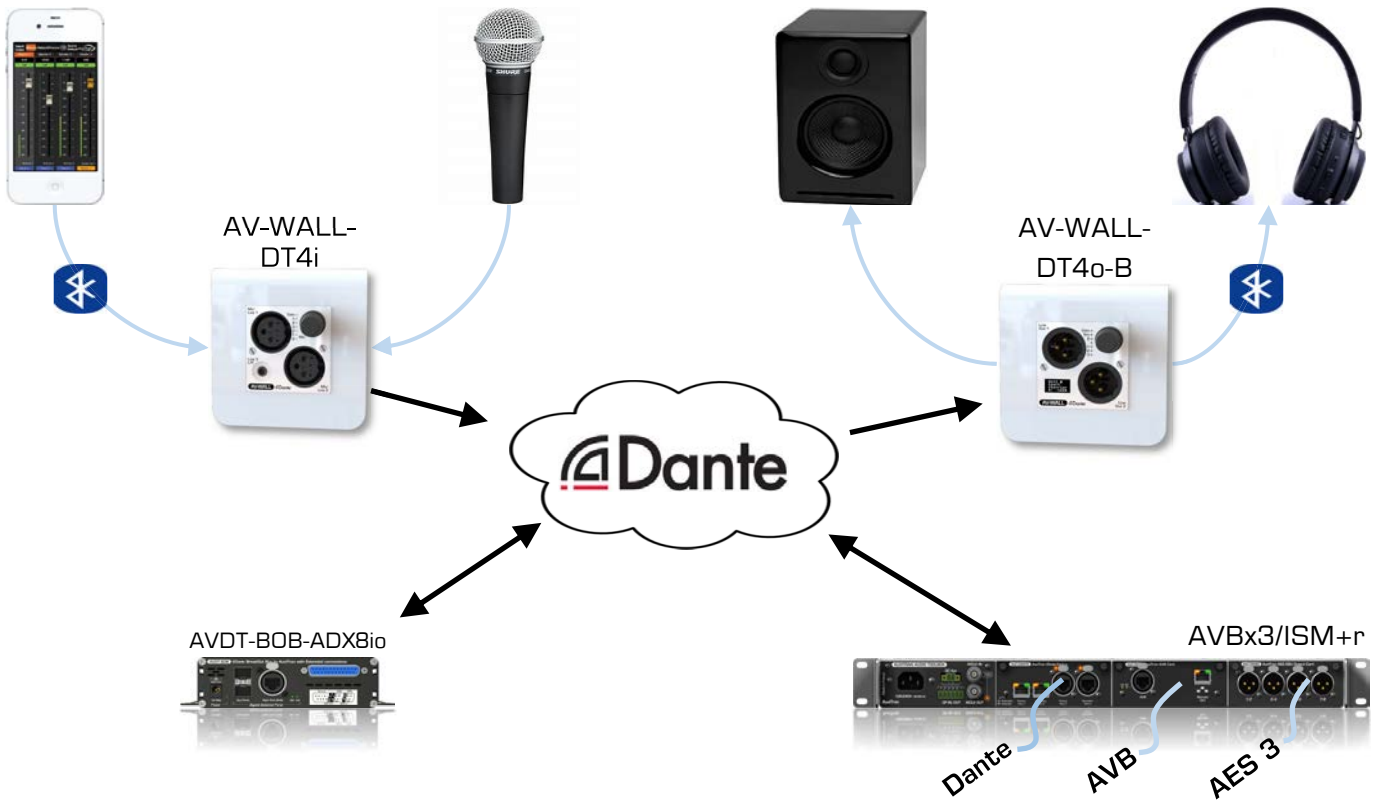
OPTIONS AVAILABLE

AV-WALL range is available in BLACK
Customization / OEM possible
Interchangeable wall plate type on request



DANTE Connectivity

Example of a Dante Network using Auvitrان products



Reference / Part Numbers

- | | |
|------------------------|--|
| AV-WALL-DT4i | Dante super compact Mic/Line interface on PoE for wall mount with 2x XLR mic inputs, 3.5mm mini Jack stereo input and a rotative push button for local control |
| AV-WALL-DT4i-LE | Dante super compact Mic/Line interface on PoE for wall mount with 2x XLR mic inputs, 3.5mm mini Jack stereo input |
| AV-WALL-DT4o-B | Dante super compact interface on PoE for wall mount to 2x XLR line out and stereo Bluetooth output with a rotative push button plus OLED screen display |
| AV-WALL-DT4o-LE | Dante super compact interface on PoE for wall mount to 2x XLR line out and 3.5mm mini Jack stereo output |
| AV-WALL-BT-EXT | Optional Bluetooth extension for DT4i only |

Contact Details

Orders, Quotations, prices:
sales@auvitran.com +33 4 76 04 80 59

General Information:
info@auvitran.com +33 4 76 04 70 69

Technical support:
support@auvitran.com

