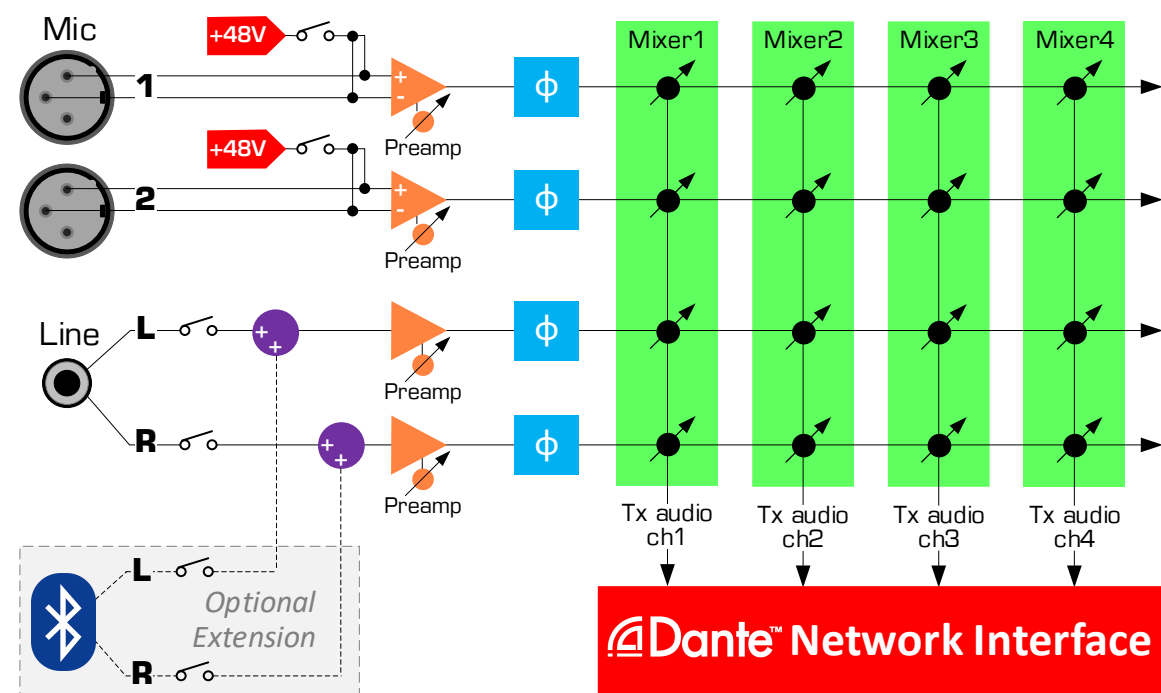


AV-WALL-DT4i

Audio Flow



Technical Data (All measures at fs=48kHz & 22kHz BW)

DIMENSIONS:	Depth in Wall (HxLxW): 49x47x46mm - Central part: 45x45x50 mm Fit in 1 gang box - Wall plate size may vary depending on the region.	
POWER SUPPLY:	PoE 802.3af compliant through RJ45. Maximum consumption 5.5W.	
SAMPLING, A/D:	44.1 / 48 / 88.2 / 96 kHz on 24 or 32 Bits	
INPUTS:	2 XLR for line inputs 1-2, a stereo 3.5mm minijack for line inputs 3-4 an optional stereo Bluetooth can be connected to AV-WALL-DT4i	
LOCAL CONTROL:	Rotary push button on AV-WALL-DT4i only	
INPUT SENSIBILITY:	ON XLR (BALANCED)	ON MINI-JACK (UNBALANCED)
	+24dBu to -40dBu	+12dBu to -28dBu
INPUT IMPEDANCE:	3.5 kΩ	10 kΩ
E.I.N.:	-111dBu @R=150Ω, G=+64dB	-97dBu @R=200Ω, G=+40B
DYNAMIC RANGE :	>101dB A-weighted	>100dB A-weighted
THD+N @1KHz, G=0dB :	<-91dB (0.0028%)	<-89 dB (0.0035%)
FREQ. RESPONSE @G=0:	20Hz-20kHz (+0 /-1.2dB)	20Hz-20kHz (+0 /-0.8 dB)
PHANTOM POWER:	+48V controlled per channel	

OPTIONS AVAILABLE

AV-WALL range is available in BLACK
Customization / OEM possible
Bluetooth extension available
Interchangeable wall plate sizes on request

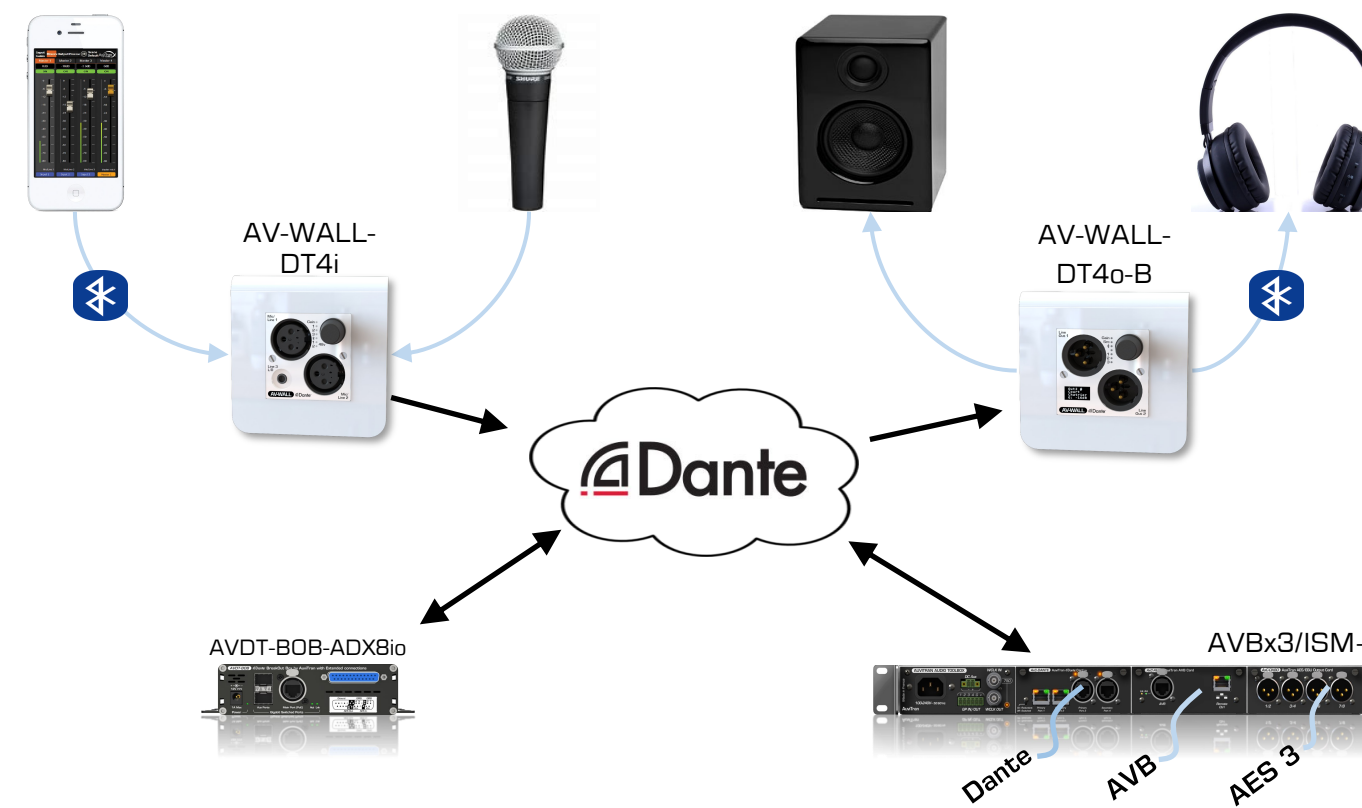


All trademarks are acknowledge as the property of their respective owners

www.auvitran.com

DANTE Connectivity

Example of a Dante Network using Auvitrans products



Reference / Part Numbers

AV-WALL-DT4i	Dante super compact Mic/Line interface on PoE for wall mount with 2x XLR mic inputs, 3.5mm mini Jack stereo input and a rotative push button for local control
AV-WALL-DT4i-LE	Dante super compact Mic/Line interface on PoE for wall mount with 2x XLR mic inputs, 3.5mm mini Jack stereo input
AV-WALL-DT4o-B	Dante super compact interface on PoE for wall mount to 2x XLR line out and stereo Bluetooth output with a rotative push button plus OLED screen display
AV-WALL-DT4o-LE	Dante super compact interface on PoE for wall mount to 2x XLR line out and 3.5mm mini Jack stereo output
AV-WALL-BT-EXT	Optional Bluetooth extension for DT4i only

Contact Details

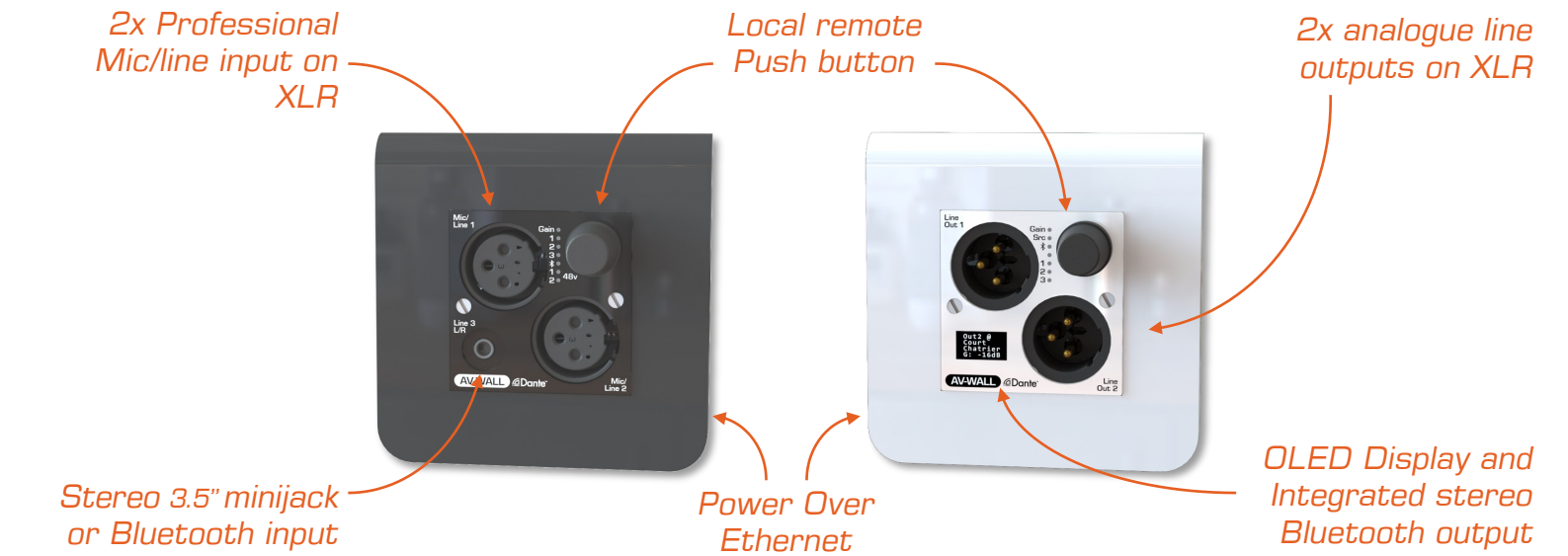
Orders, Quotations, prices:
sales@auvitran.com +33 4 76 04 80 59
General Information:
info@auvitran.com +33 4 76 04 70 69
Technical support:
support@auvitran.com



www.auvitran.com

All trademarks are acknowledge as the property of their respective owners

Ultra Compact wall mounting Dante Interfaces



All trademarks are acknowledge as the property of their respective owners

www.auvitran.com

AV-WALL-DT2i-B & DT4i

Wall mounted Dante Bluetooth or Mic/Line audio input interface



The AV-WALL-DT2i-B is a compact and cost-effective BlueTooth to Dante audio network interface wall plate. It has an internal stereo BlueTooth input linked to 2 Dante channels and level adjustment can be carried out remotely by 1dB step. The AV-WALL-DT2i is PoE, therefore you only need one Cat5e/6 cable to connect the power, control and transmission.

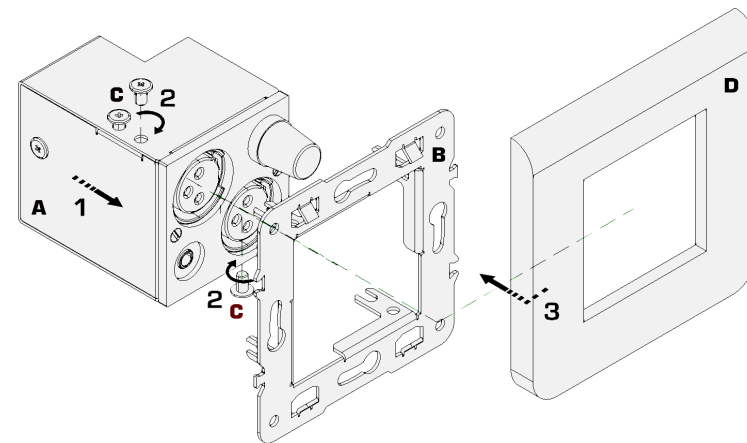
The AV-WALL-DT4i is a compact and cost-effective Dante Mic/Line audio network interface wall plate. It has an internal mixer feature which allows up to 4 lines of audio line mixing to 4 Dante channels. The AV-WALL-DT4i allows for Mic pre-amplification adjustments can be carried out either remotely or locally and can be adjusted by 1dB step. The AV-WALL-DT4i is PoE, therefore you only need one Cat5e/6 cable to connect the power, control and transmission.

The AV-WALL-DT4i-LE has the same technical features as the DT4i without the rotation push button for local access and control.

The AV-WALL-BT-EXT is an add on feature that allows the DT4i collection to be operated by BlueTooth control. With a dedicated software and control page (AVS Monitor) monitoring, controlling and setting parameters is easily accessible and has different levels of functionality (standard and advanced)

KEY FEATURES

- 2x or 4x Dante channel transmitters
- 4x Internal input mixers (1, 2, L, R) on DT4i
- Remote or local controlling
- Compact size - Fits into a single-gang junction box (45x45mm)
- RJ45 connector for power and control
- +48 V phantom power for Mic / Line inputs on DT4i
- PoE powered (802.3af compliant)
- 2x female XLR Microphone / Line inputs and



AV-WALL-DT4o

Wall mounted Dante to analogue XLR outputs interface with stereo Bluetooth or minijack output



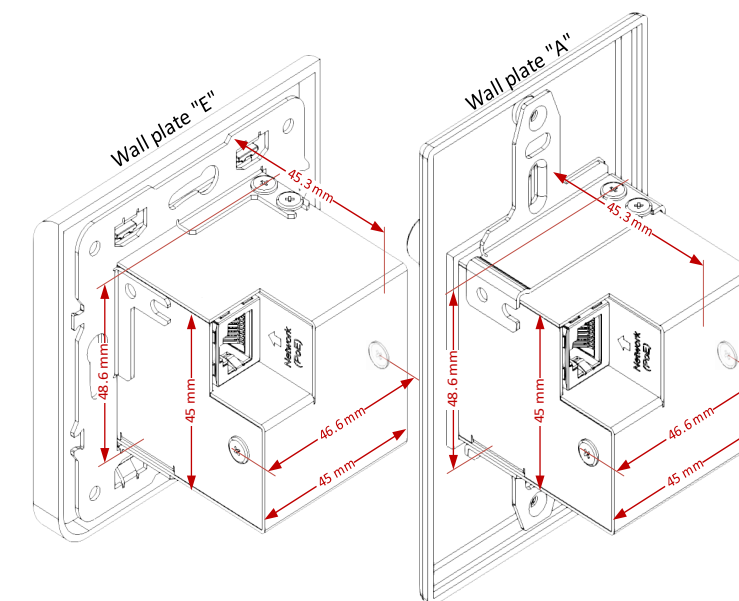
The AV-WALL-DT4o-B is a single-gang wall mounted Dante and Bluetooth output audio interface. The compact design provides a flexible and easy to use installation solution. It is PoE enabled so you only require one Cat5e/6 cable to connect the power, control and transmission.

The AV-WALL-DT4o-B has a very simple pairing process accessed through a rotation push button that allows the user to select and view paired devices on a OLED screen. Gain can then be controlled locally or via the AVS Monitor and Dante Controller software. Direct selection of Dante sources, no external software required to create a patch.

The AV-WALL-DT4o-LE has a stereo minijack output to replace the Bluetooth output without OLED screen or rotation button. With a dedicated software and control page (AVS Monitor) monitoring, controlling and setting parameters is easily accessible and has different levels of functionality (standard and advanced)

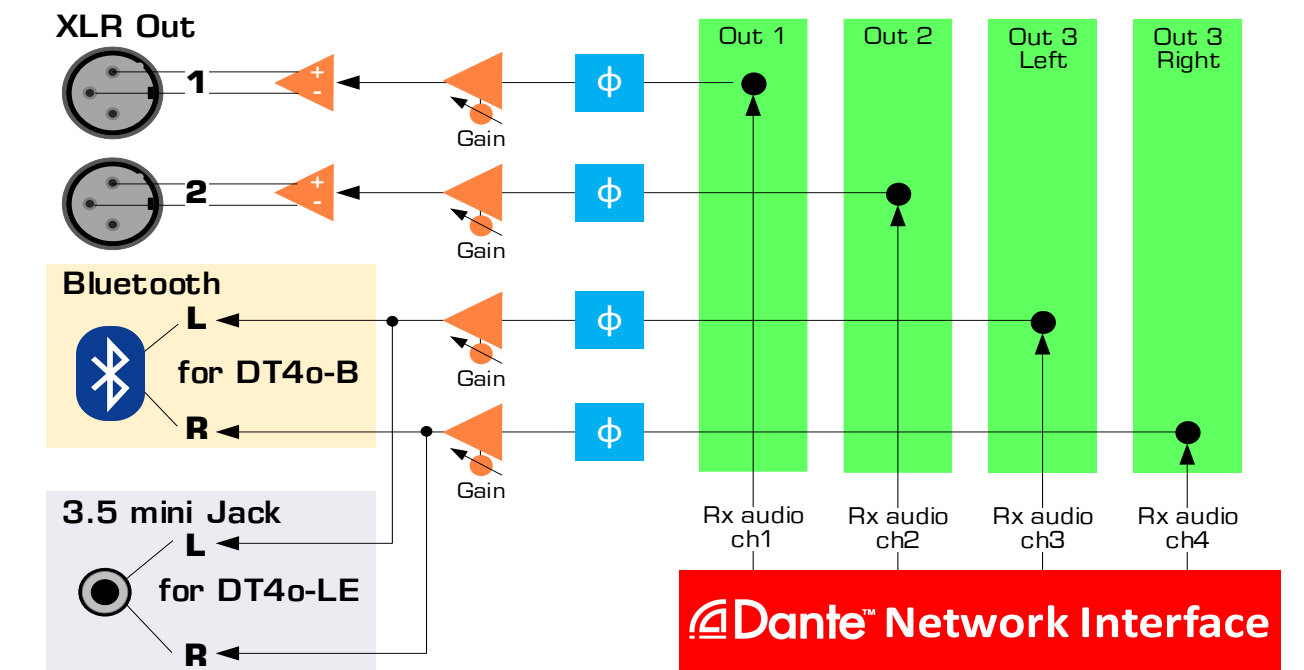
KEY FEATURES

- Simple Bluetooth device pairing
- Remote or local controlling options
- Compatible with most known portable Apple and Android devices
- Fits into a single-gang junction box (Measures only 45x45mm)
- RJ45 connector for power and control
- 2 male XLR analog line out connectors
- OLED screen for direct Dante source selection
- Easy selection of pre-set Bluetooth channels



AV-WALL-DT4o

Audio Flow



Technical Data (All measures at fs=48kHz & 22kHz BW)

DIMENSIONS:	Depth in Wall (HxLxW): 49x47x46mm - Central part: 45x45x50 mm Fit in 1 gang box - Wall plate size may vary depending on the region.	
POWER SUPPLY:	PoE 802.3af compliant through RJ45. Maximum consumption 5.5W.	
SAMPLING, A/D:	44.1 / 48 / 88.2 / 96 kHz on 24 or 32 Bits	
OUTPUTS:	2 XLR for Line outputs 1-2, a stereo Bluetooth on AV-WALL-DT4o-B or a stereo 3.5mm minijack on AV-WALL-DT4o-LE for line outputs 3-4	
LOCAL CONTROL:	Rotary push button on AV-WALL-DT4o-B only	
DISPLAY:	OLED screen on AV-WALL-DT4oB only	
OUTPUT MAX LEVEL:	ON XLR (BALANCED) +24dBu	ON MINI-JACK (UNBALANCED) +18.7dBu
OUTPUT IMPEDANCE:	<100 kΩ (balanced)	16 to 600 Ω (unbalanced)
DYNAMIC RANGE @+24dBu:	>106dB A-weighted	>104dB A-weighted
THD+N @1KHz, G=0dB:	<-92 dB (0.0025%)	< -91 dB (0.0028%)
FREQ. RESPONSE @G=0:	20Hz-20kHz (+0 /-2.5dB)	20Hz-20kHz (+0 /2dB)
MAX POWER :	250mW (@ 0.05% THD+N 1KHz, 32 Ω load)	

OPTIONS AVAILABLE

AV-WALL range is available in BLACK
Customization / OEM possible
Interchangeable wall plate type on request

